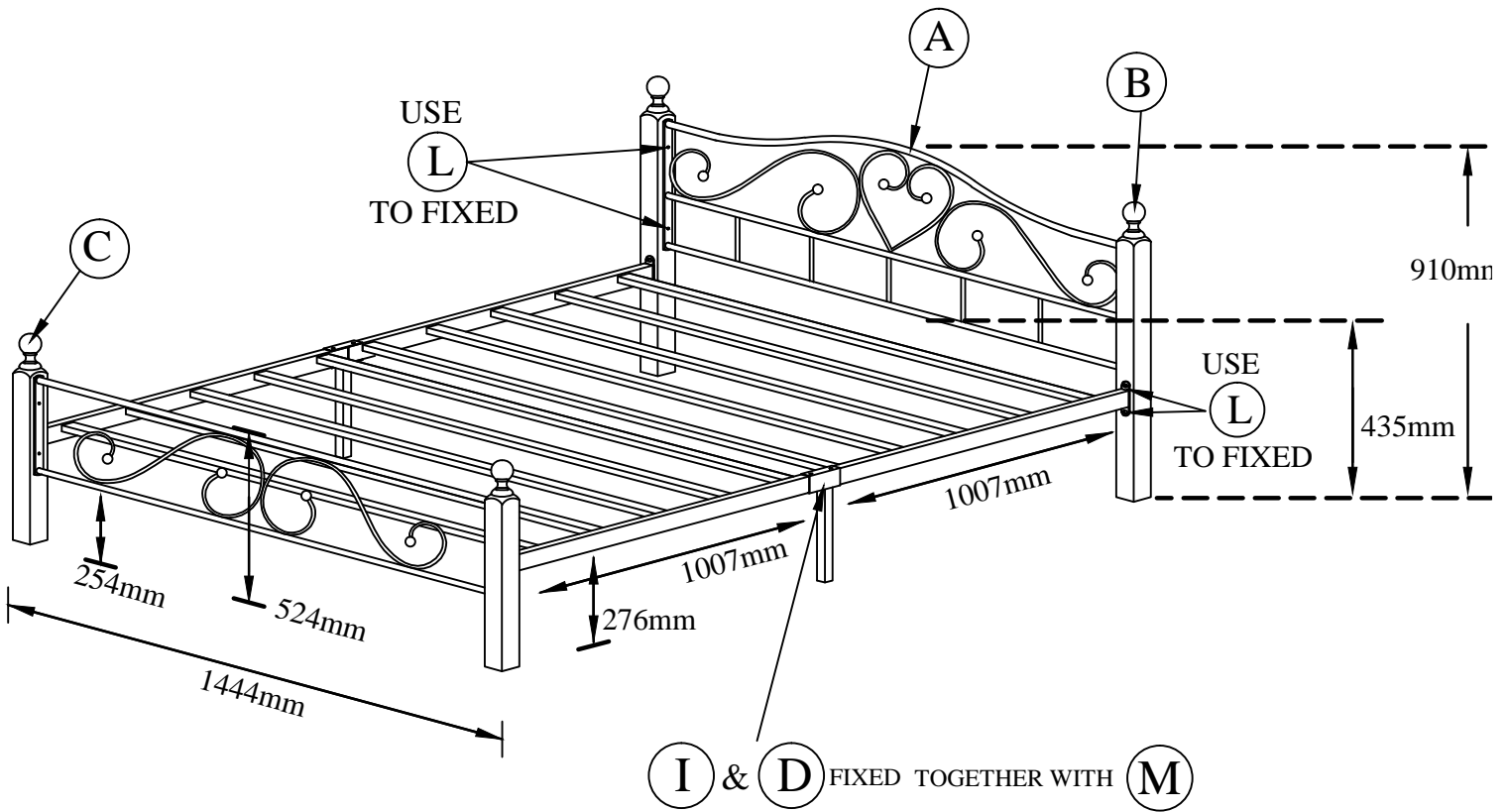


AT 615 DOUBLE BED



PART LIST

<p>A. Headboard (1pc) & Footboard (1pc)</p>	<p>B. Woodpost "H" (2pcs)</p>	<p>C. Woodpost "L" (2pcs)</p>	<p>D. Right Metal Slat (1pc) & Left Metal Slat (1pc)</p> <p>I. Side Rail Legs (2pcs)</p>
---	-------------------------------	-------------------------------	--

HARDWARE LIST

K1.		L Allen Key M4		1 pc
K2.		L Allen Key M5		1 pc
L.		M6 x 25mm Bolt	Head&Back Board & Siderail	16 pcs
M.		M8 x 70mm Bolt With Nut	Metal Slat	4 pcs